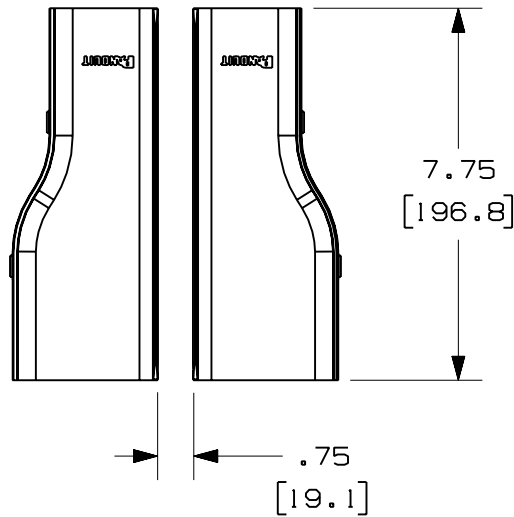


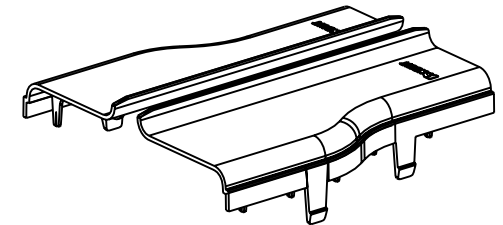
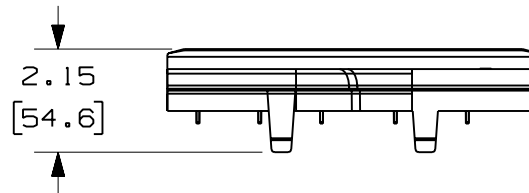
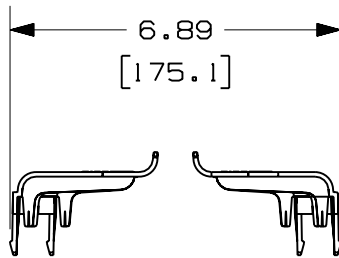


PANDUIT PART NUMBER	WEIGHT
FRRF6FR4SC	0.24 LB/EACH (111g/EACH)



NOTES:

1. SEE CURRENT CATALOG FOR ADDITIONAL PART SUFFIXES TO INDICATE COLOR AND/OR PACKAGE QUANTITY.
2. THE FIBERRUNNER 6x4 TO FIBERRUNNER 4x4 REDUCER SPLIT COVER REQUIRES NO TOOLS FOR INSTALLATION AND/OR REMOVAL. THE SPLIT COVER CREATES A 3/4" (19.1) RADIUSED OPENING TO ALLOW FOR NEW CABLES TO BE ADDED WITHOUT THE NEED FOR REMOVING THE COVERS.
3. DIMENSIONS IN PARENTHESES ARE IN METRIC.



ENG. REF.: D37847DE_DC_FRRF6FR4SC_01.prt

CAD FILENAME/LAYERS

△ FRRF6FR4SC.pdf

PANDUIT CORP TINLEY PARK, ILLINOIS
 FIBERRUNNER 6x4 TO FIBERRUNNER 4x4 REDUCER SPLIT COVER (FRRF6FR4SC)
△ CUSTOMER DRAWING

UNLESS OTHERWISE SPECIFIED, DIMENSIONAL TOLERANCES ARE:

(.X) ± (.XXX) ±
 (.XX) ± .03 (.8) ANGLES ±

UNLESS OTHERWISE SPECIFIED, ALL DIMENSIONS ARE GIVEN IN INCHES, THIRD ANGLE PROJECTION.

DRAWN BY: JHNU
 DATE: 7-18-01
 CHK'D: HIW

MAT'L:

ABS

SCALE: NONE

DRAWING NO.: 37847-70

DWG SIZE: A

REV	DATE	BY	CHK	DESCRIPTION	ECN	R	CUST	SUP	GMBH
-	-----	---	---	F. REVISED PART WEIGHT	-----	--	--		
-	-----	---	---	E. REVISED GENERAL NOTES D. REVISED CAD FILENAME	-----	--	--		
2	7-13-06	DTP	RN	C. REVISED DRAWING TITLE B. REVISED AND REDRAWN	37847-70	RN	RN		